

**Specifications**

\*AJ-\*\*\*CE stands for EC approved model.

Model	AJ-220E AJ-220CE	AJ-320E AJ-320CE	AJ-420E AJ-420CE	AJ-620E AJ-620CE	AJ-820E AJ-820CE	AJ-1200E AJ-1200CE	AJ-2200E AJ-2200CE	AJ-3200E AJ-3200CE	AJ-4200E AJ-4200CE	AJ-6200E AJ-6200CE	AJ-8200E AJ-8200CE	AJ-12KE AJ-12KE
Capacity	220g	320g	420g	620g	820g	1200g	2200g	3200g	4200g	6200g	8200g	12000g
Readability	0.001g	0.001g	0.001g	0.001g	0.01g	0.01g	0.01g	0.01g	0.01g	0.01g	0.1g	0.1g
Repeatability *1	0.001g	0.001g	0.001g	0.001g	0.01g	0.01g	0.01g	0.01g	0.01g	0.01g	0.1g	0.1g
Non-Linearity *2	±0.001g	±0.001g	±0.001g	±0.002g	±0.01g	±0.01g	±0.01g	±0.01g	±0.01g	±0.02g	±0.1g	±0.1g
Pan size	Ø118mm			170×142mm			180×160mm					
Calibration	with external calibration weight											
Weight units *3	g, ct, oz, lb, ozt, dwt, GN tl (Hong Kong), tl (Taiwan), tl (Singapore, Malaysia), momme, tola											
Dimensions(LWH)	235×182×170mm(including windshield)				235×182×75mm			265×192×87mm				
Weights	Approx. 1.3kg						Approx. 2.8kg					

Model	AJH-220E AJH-220CE	AJH-320E AJH-320CE	AJH-420E AJH-420CE	AJH-620E AJH-620CE	AJH-2200E AJH-2200CE	AJH-3200E AJH-3200CE	AJH-4200E AJH-4200CE
Capacity	220g	320g	420g	620g	2200g	3200g	4200g
Readability	0.001g	0.001g	0.001g	0.001g	0.01g	0.01g	0.01g
Repeatability *1	0.001g	0.001g	0.001g	0.001g	0.01g	0.01g	0.01g
Non-Linearity *2	±0.001g	±0.001g	±0.001g	±0.002g	±0.01g	±0.01g	±0.01g
Pan size	Ø118mm				180×160mm		
Calibration	with built-in weight						
Weight units *3	g, ct, oz, lb, ozt, dwt, GN tl (Hong Kong), tl (Taiwan), tl (Singapore, Malaysia), momme, tola						
Dimensions(LWH)	235×182×170mm(including windshield)				265×192×87mm		
Weights	Approx. 1.6kg				Approx. 3.7kg		

\*1 standard deviation \*2 typical value \*3 only g, kg & ct are available in CE models.

■e=d only for AJ-820CE. e=10d for other CE models

**Options**

AJBT(S)	Rechargeable battery for 220g-1200g
AJBT(M)	Rechargeable battery for 2200g-12kg
AJUH(S)	Under weighing hook for 220g-1200g
AJUH(M)	Under weighing hook for 2200g-12kg
AJDK	Density Measurement kit (220g-620g)

\*24-hour continuous operation with AJBT

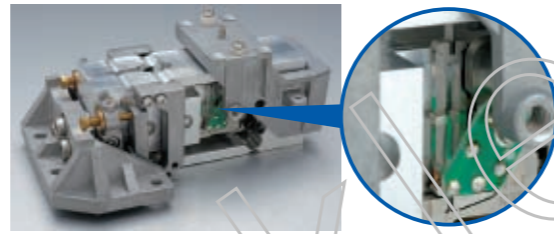
**Common Specification**

Measuring system	: Tuning-fork frequency sensing
Tare	: Full weighing range
Display	: LCD with back-light (height 16.5mm)
Power source	: AC120/230V DC9V
Output	: RS232C(standard)

**What makes the tuning-fork sensor so precise?**

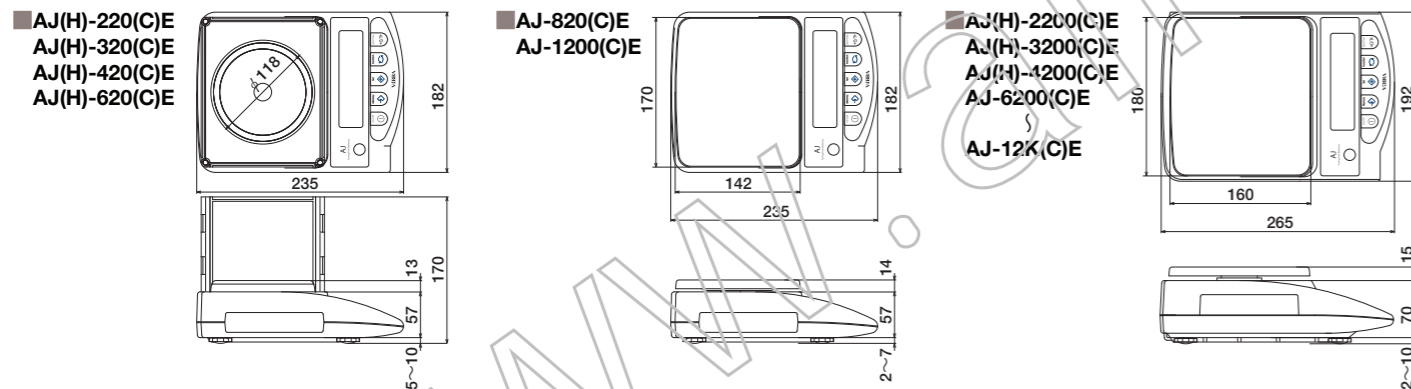
The tuning-fork sensor measures force or mass by gauging changes in oscillation frequency when a load is applied to a long, narrow vibrator, and it digitally outputs the readings.

Unlike load cell or electromagnetic systems, the tuning-fork sensor does not rely on material distortion, electromagnetic force, heavy power consumption, or A/D converters, so its inherent margin of error is extremely small, and its high precision can be maintained for a long time.



Double-Ended tuning fork (DETF) vibrator

**Dimensions**



The contents of this catalogue are subject to change due to modifications and/or other reasons.

**SHINKO DENSHI CO., LTD.**

SHINKO DENSHI CO., LTD.  
3-9-11 YUSHIMA, BUNKYO-KU, TOKYO 113-0034  
TEL : 81-3-3835-4577 FAX : 81-3-5818-6066  
URL : <http://www.vibra.co.jp/global/>  
E-mail : shinko@vibra.co.jp

Distributed by:



0908-gpm



**AJ Series**  
All mighty weighing system

Simple but Profound

Vast potential in the Compact Housing

For laboratory, factory, jewelry shops, etc...

Quick response and stable indication



ISO 9001  
JQA-2834  
TSUKUBA



TECO  
ISO 14001:2004  
ER-00130

# PRECISION TUNING-FORK BALANCES

## AJ Series



### SIMPLE IS THE BEST.

This is the basic concept of ViBRA AJ series. Simple, but profound scope for wide measurement fields. Laboratory,

factory, jewelry shops, etc... ViBRA AJ series is always the simplest & the best solution for your needs.

**Counting**   **Percent**

**Weight**   **Carat**

ViBRA AJ series provides four weighing modes, simple weight measurement, parts counting, percentage weighing and carat measurement for jewelers. You can easily switch the weighing mode by pushing function key.

### Blight, White Back-light

Large LCD (16.5mm height) with blight & white back-light makes the weighing operation easy and comfortable even in the dark location.



### Quick Response & Stable Indication

Quick response and stable indication are important feature in the precise weight measurement. The innovative tuning-fork sensor in ViBRA AJ series meets this demand and satisfies you.



### Keep the Weighing Accuracy

The model with name AJ"H" has semi-automatic built-in calibration feature. You can easily calibrate the balance with built-in weight. It ensures the accurate and precise weighing operation.



### Compact Housing, High Portability

The compact housing is one of the advantages of ViBRA AJ series. The space-saving design enables you to instal it even in small space. Furthermore you can bring it everywhere you want with optional rechargeable battery.



### Draft Windshield as Standard

The draft windshield is available as standard for 220g-620g capacity models. It realizes the ideal environment for precise weighing. It can be easily assembled by hands.



### Density Measurement Kit Option

The density measurement kit can be available as option \*no program to automatically calculate the density is installed in ViBRA AJ series. Just the kit as option.

### Connection with Outside Devices

RS232C interface is installed as standard feature in every models of ViBRA AJ series. You can connect the balance to outside devices like PC.

