



DSX-1000

Weighing Scale

For Every Weighing Application

High internal resolution, Multi-interval capability,
Preset tare function, Accumulation function plus,
the capability to connect an external device
via RS-232C interface



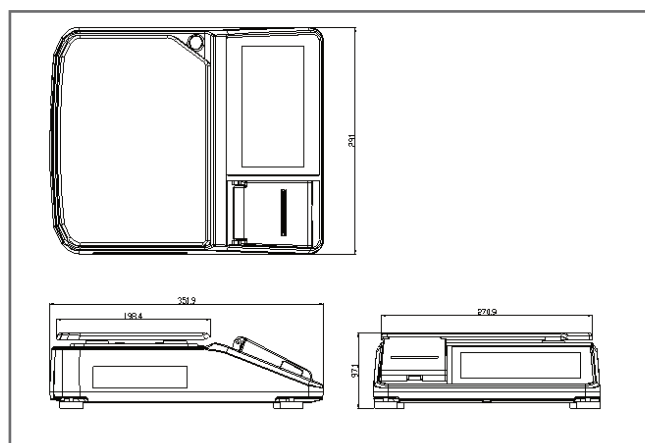
*Searching for
a New Balance*

COUNT ON DSX-1000 TO SPEED-UP YOUR CHECK WEIGHING OPERATION



- Quick response to weight changes.
- Resolution:
Display Resolution: 1/3000,1/6000,1/7500,1/12000,1/15000.
Internal Resolution:1/300,000.
- Calibration by software.
- 7.0 inches, 800x480, 65k colors,
TFT LCD touch panel operator displays with backlight.
- Splash proof housing.
- RS-232C interface for data communication.
- Set point interface (Lower/Upper).

● Dimensions



● Specifications

Single interval type

Capacity	1/3,000	1/6,000	1/7,500	1/12,000	1/15,000
Max. 600g	e=0.2g	e=0.1g		e=0.05g	
Max. 6kg	e=2g	e=1g		e=0.5g	
Max. 15kg	e=5g		e=2g		e=1g
Max. 30kg		e=5g			e=2g

Multi-interval type (Display resolution: 1/3,000)

Capacity	Minimum Graduation	
Max. 600g	(0-300g)-0.1g	(300g-600g)-0.2g
Max. 6kg	(0-3kg)-1g	(3-6kg)-2g
Max. 15kg	(0-6kg)-2g	(6-15kg)-5g
Max. 30kg	(0-15kg)-5g	(15-30kg)-10g

- Internal resolution :1/300,000
- Weight sensor :Load cell
- Power Source : AC 100V~240V.
- Operating Temperature : -10℃/14℉ ~ +40℃/+104℉ (OIML).
- Operating Humidity : 15 ~ 85% RH.
- Power Consumption : 22W when using AC power.
: 33W when using AC power with printer.

- Optional
Built-in printer kit

*Specifications are subject to change without prior notice.

TERAOKA SEIKO CO., LTD.

13-12 Kugahara 5-chome, Ohta-ku,
Tokyo 146-8580, JAPAN
TEL: +81-3-3752-2131
FAX: +81-3-3752-2801
URL: www.digisystem.com
E-MAIL: info@hq.digi.co.jp