

DS-470 SS Check-weighing Scale

Versatile features accurately speed up your check-weighing operation

- Two setpoint function: two target displays for precise over/under operation
- Large fluorescent display
- Numeric tare entry
- Standard RS-232C I/F
- Digital tare subtraction
- Check weighing with filling function
- Selectable weigh units (g,Kg,oz)
- High internal resolution 1/600,000
- Selectable display resolution 1/3,000, 1/6,000 (1/7,500), 1/12,000 (1/15,000)
- **Stainless steel** housing ensures long life under harsh environments
- System expands easily with an optional interface



IDEAL!
for Bakery,
Meat or
Fish
Departments.

Thank you to our loyal customers for their continued support



DS-470 SS Check-weighing Scale

Efficient weighing operations
in the toughest environments

Color graphic indicator and audible alarm for quick check-weighing



- Two setpoint function: two target displays for precise over/under operation
- Large fluorescent display

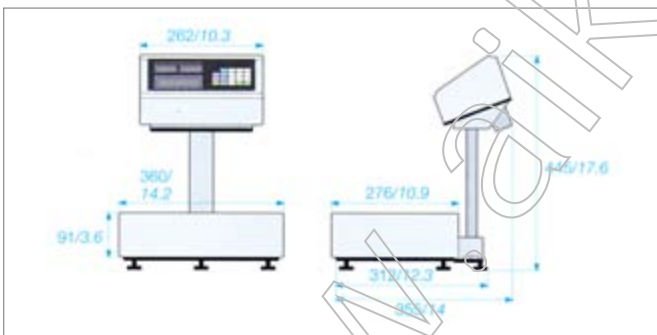
Specifications

Capacity and resolution

	1/3,000	1/6,000 (1/7,500)	1/12,000 (1/15,000)
Max 6Kg	e=2g	e=1g	e=0.5g
Max 15Kg	e=5g	e=2g	e=1g
Max 30Kg	e=10g	e=5g	e=2g

- Internal resolution: 1/600,000
- Weight sensor: load cell
- Weight display: 5 digits
- Power source: A/C 100/120V, 220/240V 50/60 Hz (factory preset)
- Power consumption: 13W
- Operating temperature: 5°C to 35°C 41°F to 95 °F
- Operating humidity: 85RH Max. (Non-condensing)
- Net weight: 12.8 Kg

Dimensions



Optional Interface

- Din 8 pin connector for either RS-232C or Setpoint I/F use

Model DI-470SS (Digital Indicator)

The DI-470SS, with the stainless steel housing and check-weighing function, is ready for your operational needs. The above optional interface is also available.

Capacities are available for the DI-470SS with external scale

capacity	1/3,000	1/6,000 (1/7,500)	1/12,000 (1/15,000)
Max 6Kg	e=2g	e=1g	e=0.5g
Max 15Kg	e=5g	e=2g	e=1g
Max 30Kg	e=10g	e=5g	e=2g
Max 60Kg	e=20g	e=10g	e=5g
Max 150Kg	e=50g	e=20g	e=10g

Thank you to our loyal customers for their continued support

INDUSTRIAL PRODUCTS