

Single-Ended Beam



FEATURES

- Capacities: 500 to 20Klb, 250 to 5000kg
- High side-load tolerance
- Electroless nickel-plated-alloy tool steel
- NTEP Class III 5000M for SQB, SQB-F and SQB-SS available from 1K to 10Klb
- SQB-SS stainless steel construction

OPTIONAL FEATURE

- FM approval available

DESCRIPTION

SQB is a single-ended shear beam load cell designed for multiple cell applications such as low profile platform or small tank scales when used with proper mounting accessories. It is insensitive to side loading and capable of reversed loading.

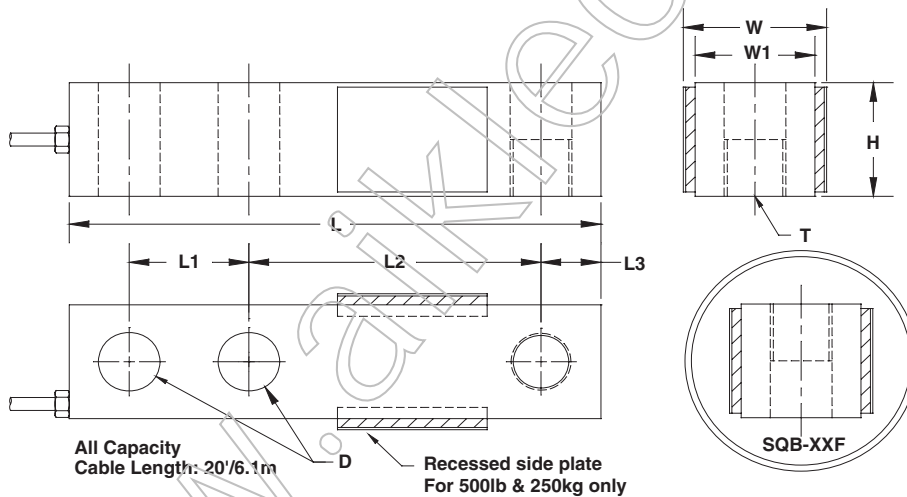
SQB and SQB-F are constructed of alloy steel and fully potted with special chemical

compounds to IP67 to protect the cell from water and moisture damage.

APPLICATIONS

- Truck/ Rail scales
- Silo/ Hopper/Tank weighing
- Platform scales (multiple load cells)
- Pallet truck scales
- Packaging machines

OUTLINE DIMENSIONS



Wiring diagram

- + Excitation Red
- Excitation Black
- + Signal Green
- Signal White

CAPACITY		L	L1	L2	L3	W	W1	H	D	T
250kg	mm	130.0	25.4	76.2	12.7	31.7	31.7	25.4	13.5	M12 x 1.75
500lb	(inch)	5.12	1.00	3.00	0.50	1.25	1.25	1.00	0.53	1/2-20UNF
500/ 1000/ 1500/ 2000kg	mm	130.0	25.4	76.2	12.7	38.1	31.7	31.7	13.5	M12 x 1.75
1K / 2K / 2.5K / 3K / 4K / 5KSElb	(inch)	5.12	1.00	3.00	0.50	1.50	1.25	1.25	0.53	1/2-20UNF
2500/ 5000kg	mm	171.5	38.1	95.3	19.0	44.2	38.1	38.1	19.8	M20 x 1.5
5K / 10Klb	(inch)	6.75	1.50	3.75	0.75	1.74	1.50	1.50	0.78	3/4-16UNF
15K / 20Klb	mm	225.6	50.8	123.9	25.4	56.9	50.8	50.8	26.2	-----
	(inch)	8.88	2.00	4.88	1.00	2.24	2.00	2.00	1.03	1-14UNS

**SPECIFICATIONS**

PARAMETER	VALUE		UNIT
	NTEP III	Non-Approved	
NTEP/OIML Accuracy class			
Maximum no. of intervals (n)	3000 single* 5000 multiple*	1000	
$Y = E_{\max}/V_{\min}$	10000	5000	Maximum available
Standard capacities (E_{\max})	250, 500, 1000, 1500, 2000, 2500, 5000		kg
Standard capacities (E_{\max})	500, 1K, 2K, 2.5K, 3K, 4K, 5KSE, 5K, 10K, 15K, 20K		lbs
Rated output-R.O.	3.0		mV/V
Rated output tolerance	0.25		±% of rated output
Zero balance	1		±% of rated output
Non linearity	0.025	0.030 (SS: 0.05)	±% of rated output
Hysteresis	0.025	0.030 (SS: 0.05)	±% of rated output
Non-repeatability	0.020	0.020	±% of rated output
Creep error (20 minutes)	0.025	0.030	±% of rated output
Zero return (20 minutes)	0.025	0.030	±% of rated output
Temperature effect on min. dead load output	0.0017	0.0026	±% of rated output/°C
Temperature effect on sensitivity	0.0010	0.0015	±% of applied load/°C
Compensated temperature range	-10 to +40		°C
Operating temperature range	-20 to +60		°C
Safe overload	150		% of R.C.
Ultimate overload	300		% of R.C.
Excitation, recommended	10		Vdc or Vac rms
Excitation, maximum	15		Vdc or Vac rms
Input impedance	385±5		Ohms
Output impedance	350±3		Ohms
Insulation resistance	>5000		Mega-Ohms
Construction	Nickel plated alloy steel**		
Environmental protection	IP67		

* Capacities 1K-10Klbs

** Stainless steel available

All specifications listed subject to change without notice.

FM Approval

Intrinsically Safe: Class I, II, III; Div. 1 Groups A-G

Non-Incendive: Class I; Div. 2 Groups A-D

VISHAY TRANSDUCERS (VT) SALES OFFICES

VT Americas
City of Industry, CA
PH: +1-626-858-8899
FAX: +1-626-332-3418
vt.us@vishaymg.com

VT Netherlands
Breda
PH: +31-76-548-0700
FAX: +31-76-541-2854
vt.nl@vishaymg.com

VMG UK
Basingstoke
PH: +44-125-646-2131
FAX: +44-125-647-1441
vt.uk@vishaymg.com

VMG Israel
Netanya
PH: +972-9-863-8888
FAX: +972-9-863-8800
vt.il@vishaymg.com

VMG Germany
Heilbronn
PH: +49-7131-3901-260
FAX: +49-7131-3901-2666
vt.de@vishaymg.com

VT China
Tianjin
PH: +86-22-2835-3503
FAX: +86-22-2835-7261
vt.prc@vishaymg.com

VMG France
Chartres
PH: +33-2-37-33-31-20
FAX: +33-2-37-33-31-29
vt.fr@vishaymg.com

VT Taiwan*
Taipei
PH: +886-2-2696-0168
FAX: +886-2-2696-4965
vt.roc@vishaymg.com
*Asia except China



Disclaimer

All product specifications and data are subject to change without notice.

Vishay Intertechnology, Inc., its affiliates, agents, and employees, and all persons acting on its or their behalf (collectively, "Vishay"), disclaim any and all liability for any errors, inaccuracies or incompleteness contained herein or in any other disclosure relating to any product.

Vishay disclaims any and all liability arising out of the use or application of any product described herein or of any information provided herein to the maximum extent permitted by law. The product specifications do not expand or otherwise modify Vishay's terms and conditions of purchase, including but not limited to the warranty expressed therein, which apply to these products.

No license, express or implied, by estoppel or otherwise, to any intellectual property rights is granted by this document or by any conduct of Vishay.

The products shown herein are not designed for use in medical, life-saving, or life-sustaining applications unless otherwise expressly indicated. Customers using or selling Vishay products not expressly indicated for use in such applications do so entirely at their own risk and agree to fully indemnify Vishay for any damages arising or resulting from such use or sale. Please contact authorized Vishay personnel to obtain written terms and conditions regarding products designed for such applications.

Product names and markings noted herein may be trademarks of their respective owners.